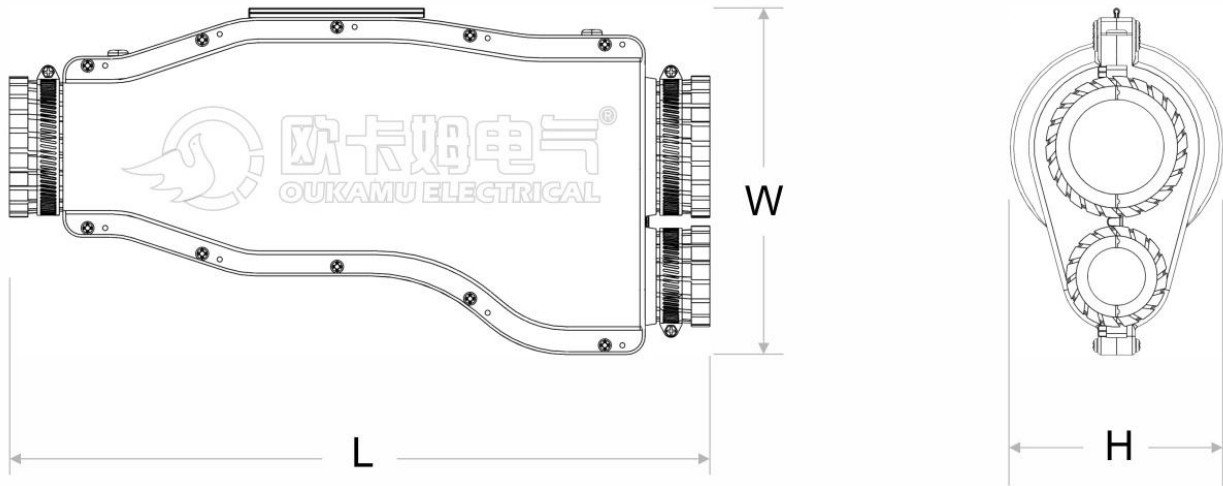




FLAME RETARDANT BRANCH CABLE



MODEL	Specification (cross-sectional area of cable core conductors (mm ²))		Technical Parameters			
	Main Cable (2~5 Cores)	Branch Cable (2~5 Cores)	Rated Voltage(kV)	Rated Current(A)		Size L*W*H(mm)
				Copper Core	Aluminum Alloy Core	
ZR-JFZ-16/10	4~16	1.5~10	0.6/1	72	/	260*105*65
ZR-JFZ-35/16	10~35	2.5~16	0.6/1	95	76	325*140*75
ZR-JFZ-70/35	25~70	2.5~35	0.6/1	150	120	365*170*105
ZR-JFZ-95/35	35~95	2.5~35	0.6/1	150	120	375*175*110
ZR-JFZ-120/35	50~120	2.5~35	0.6/1	150	120	380*180*115
ZR-JFZ-150/50	50~150	6~50	0.6/1	190	152	425*185*115
ZR-JFZ-185/35	70~185	2.5~35	0.6/1	150	120	430*190*120
ZR-JFZ-95/70	35~95	16~70	0.6/1	240	190	440*190*120
ZR-JFZ-240/70	95~240	6~70	0.6/1	240	190	460*210*130
ZR-JFZ-185/95	70~185	10~95	0.6/1	290	230	515*230*140
ZR-JFZ-300/95	120~300	10~95	0.6/1	290	230	515*230*140
ZR-JFZ-240/120	95~240	50~120	0.6/1	340	280	520*240*145



TECHNICAL FEATURES

1. Integrated, small size, flexible installation location;
2. Insulating, flame retardant, fireproof, waterproof, and widely used;
3. Simple construction, easy maintenance, and reusable;
4. Standard products, no customization required;
5. Advanced technology, highlighting the quality of building electrical installations;
6. The main cable does not need to be cut or reserved.